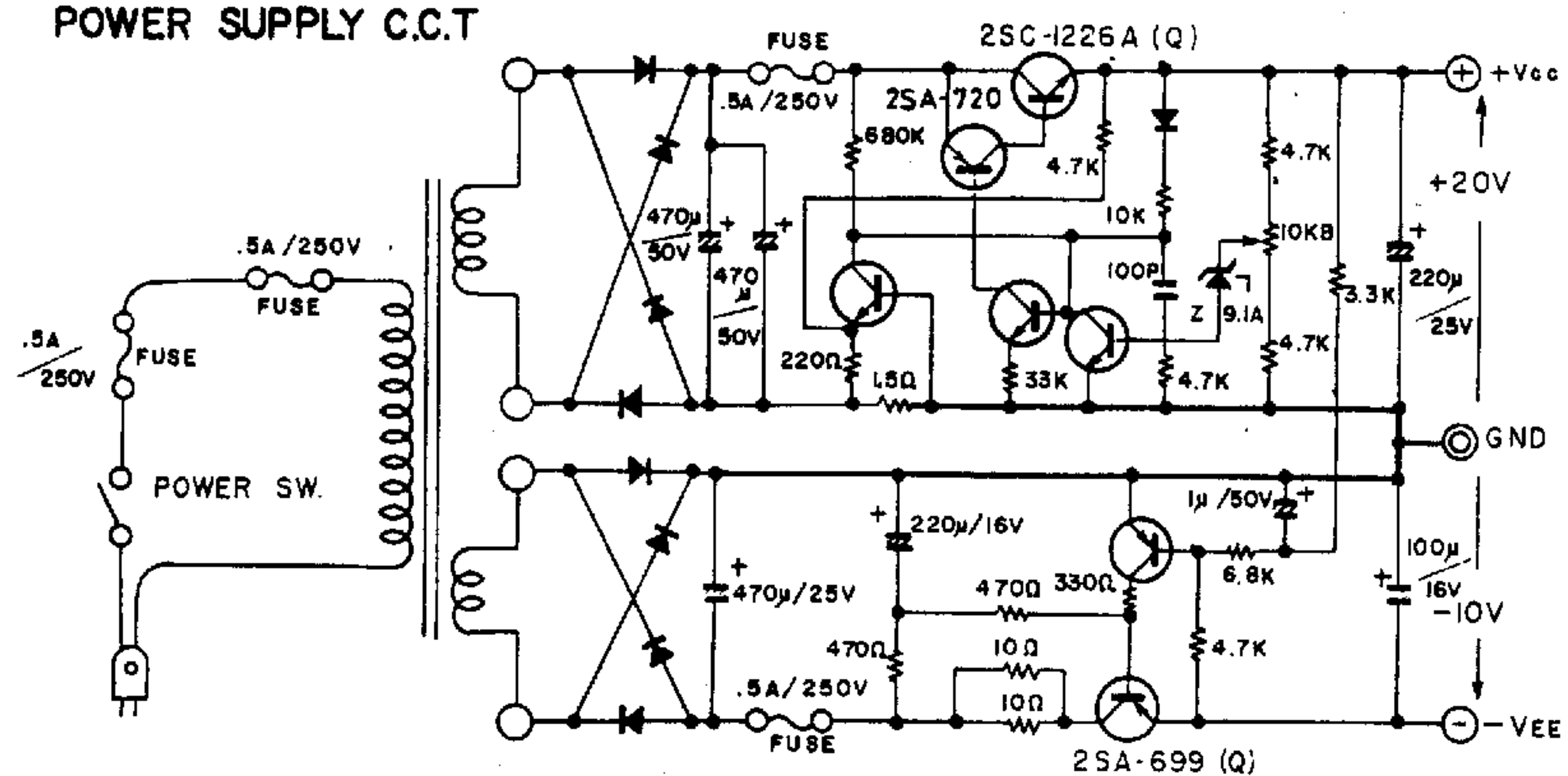
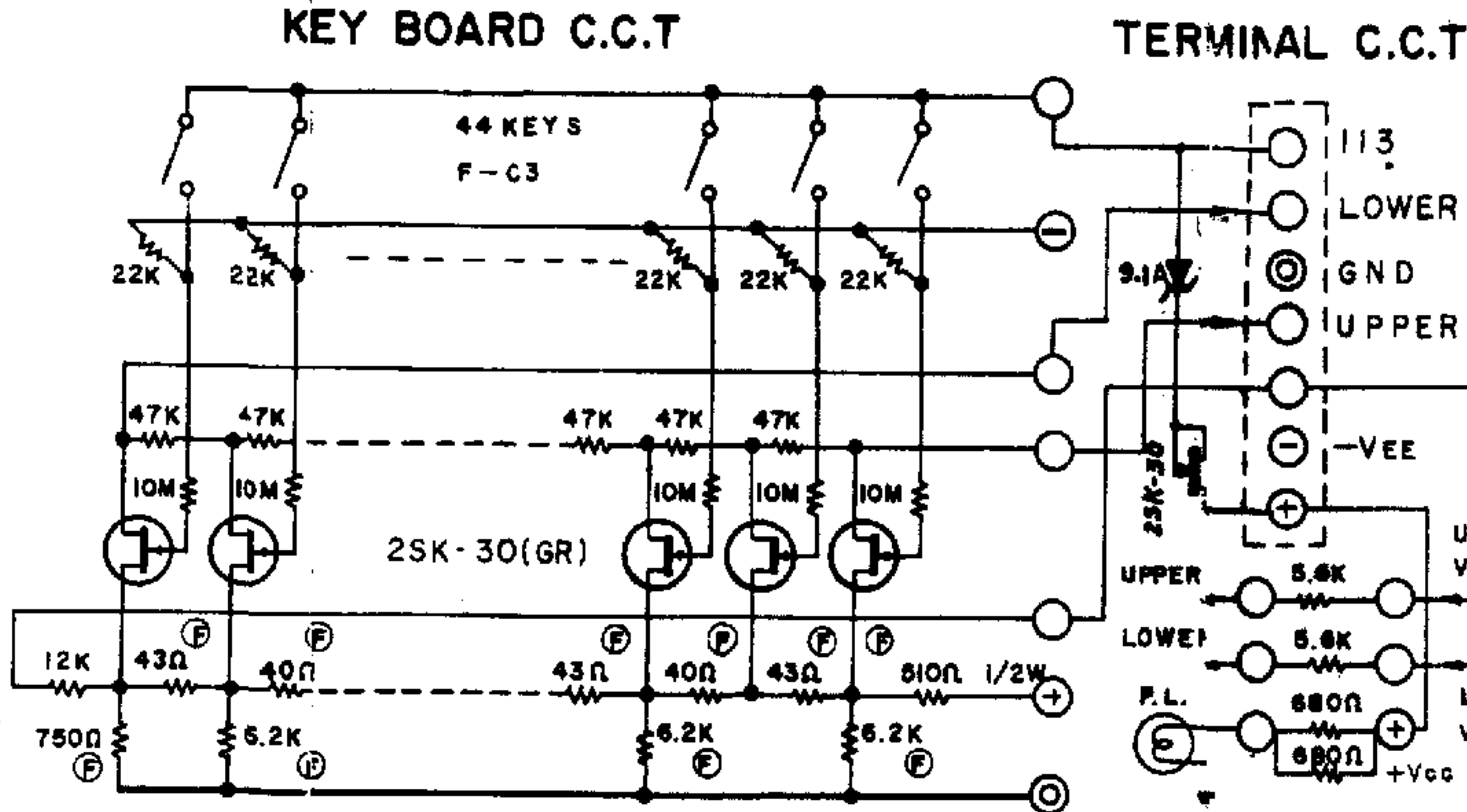


OVER ALL CIRCUIT DIAGRAM KORG 800 DV

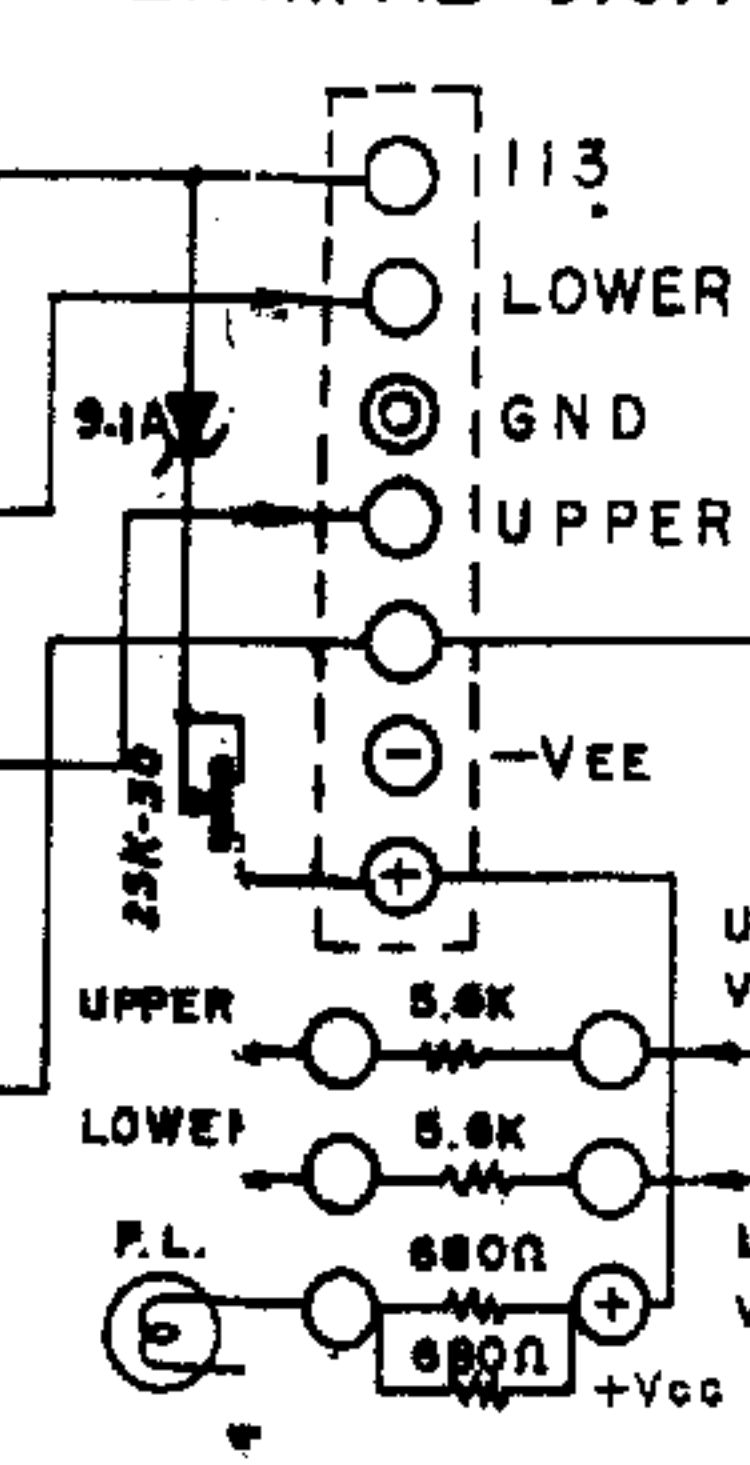
POWER SUPPLY C.C.T



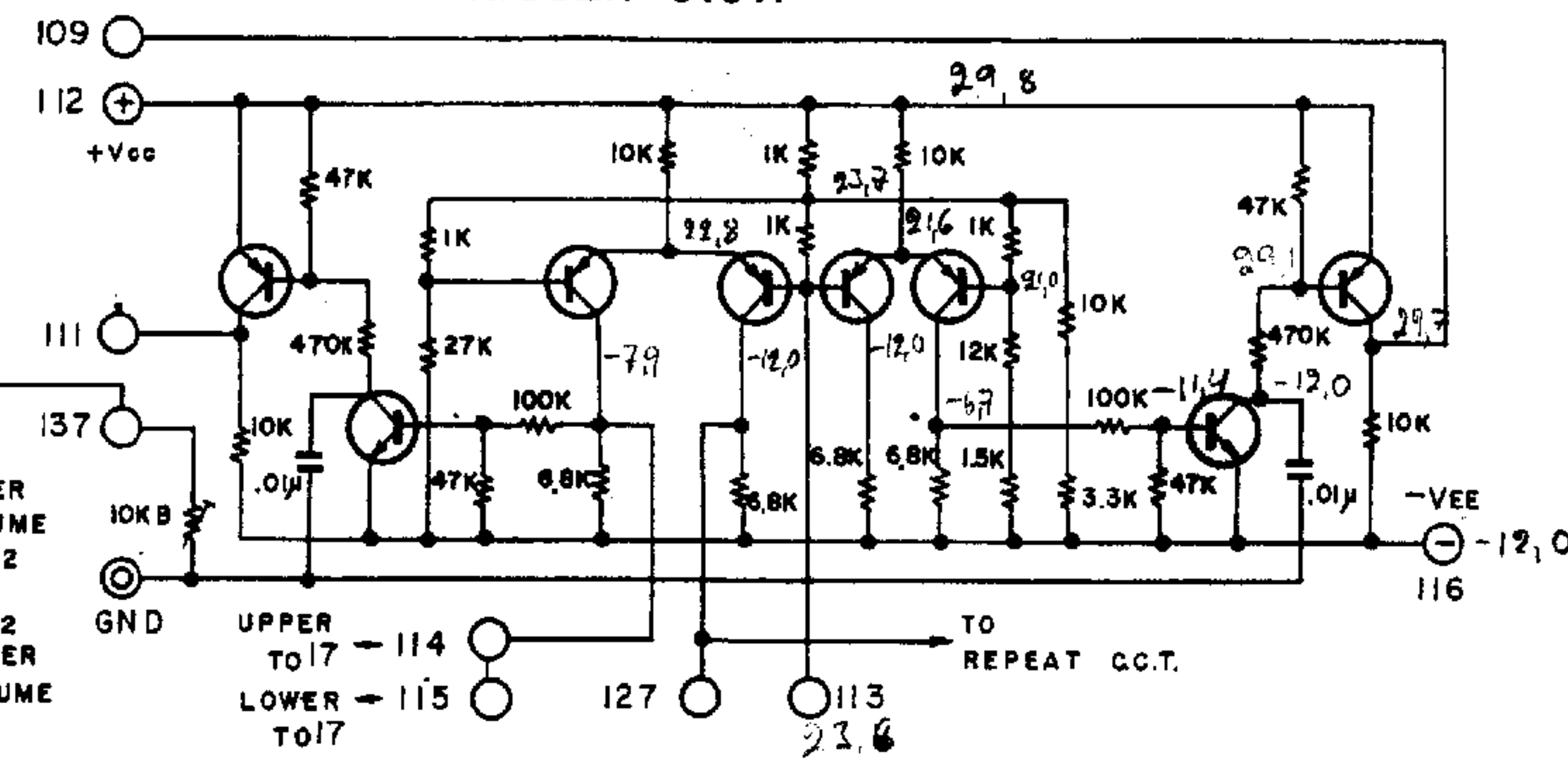
KEY BOARD C.C.T



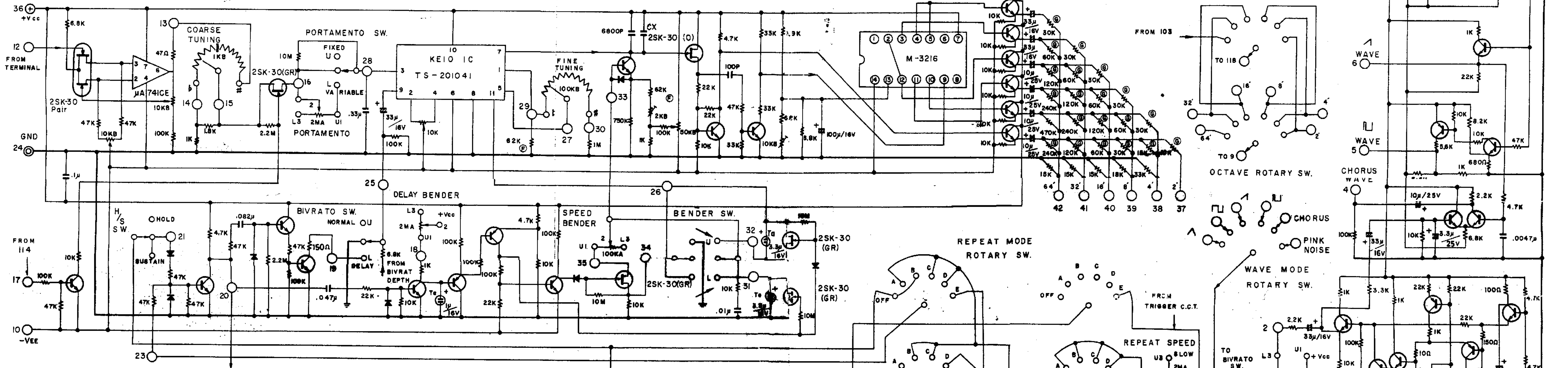
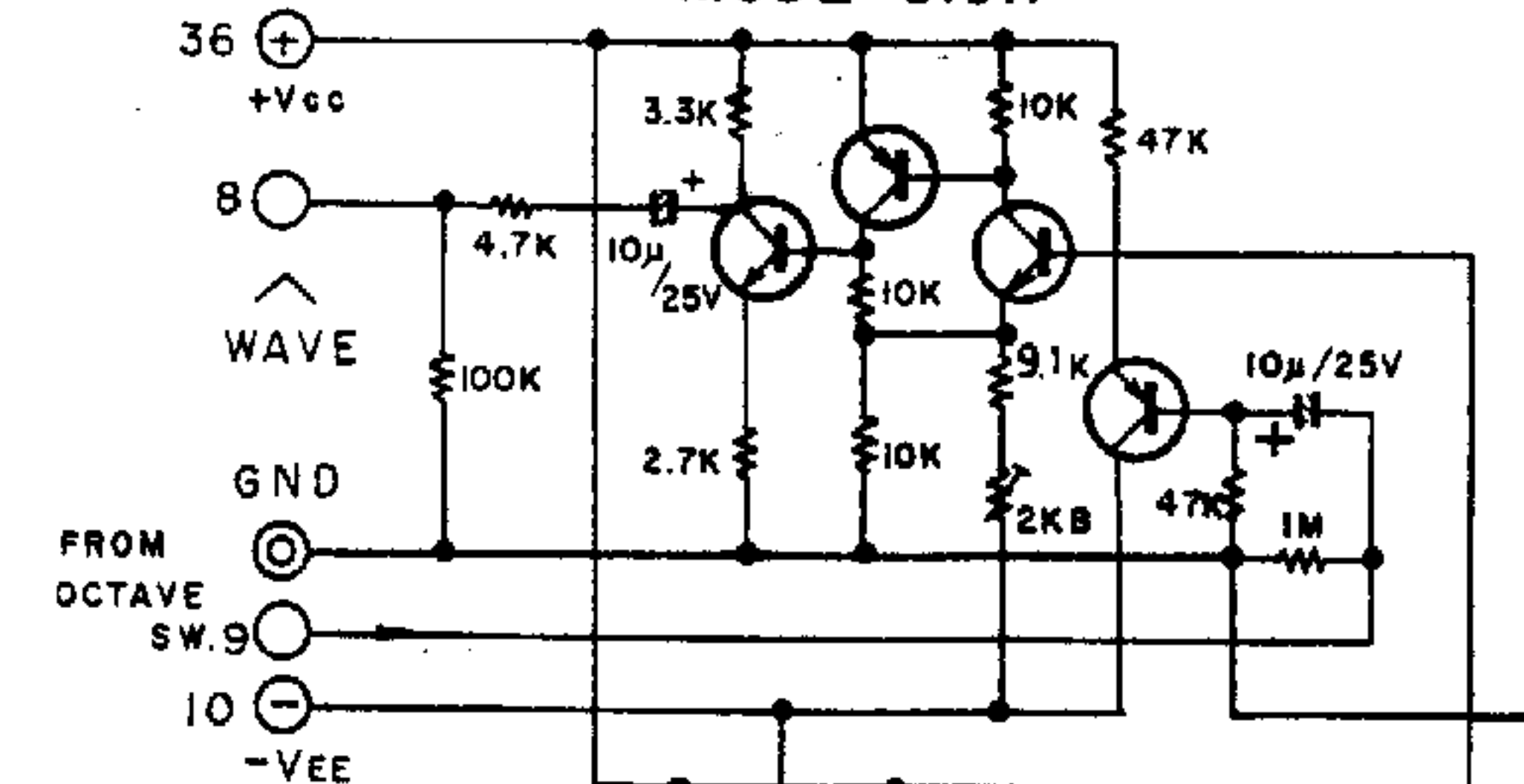
TERMINAL C.C.T



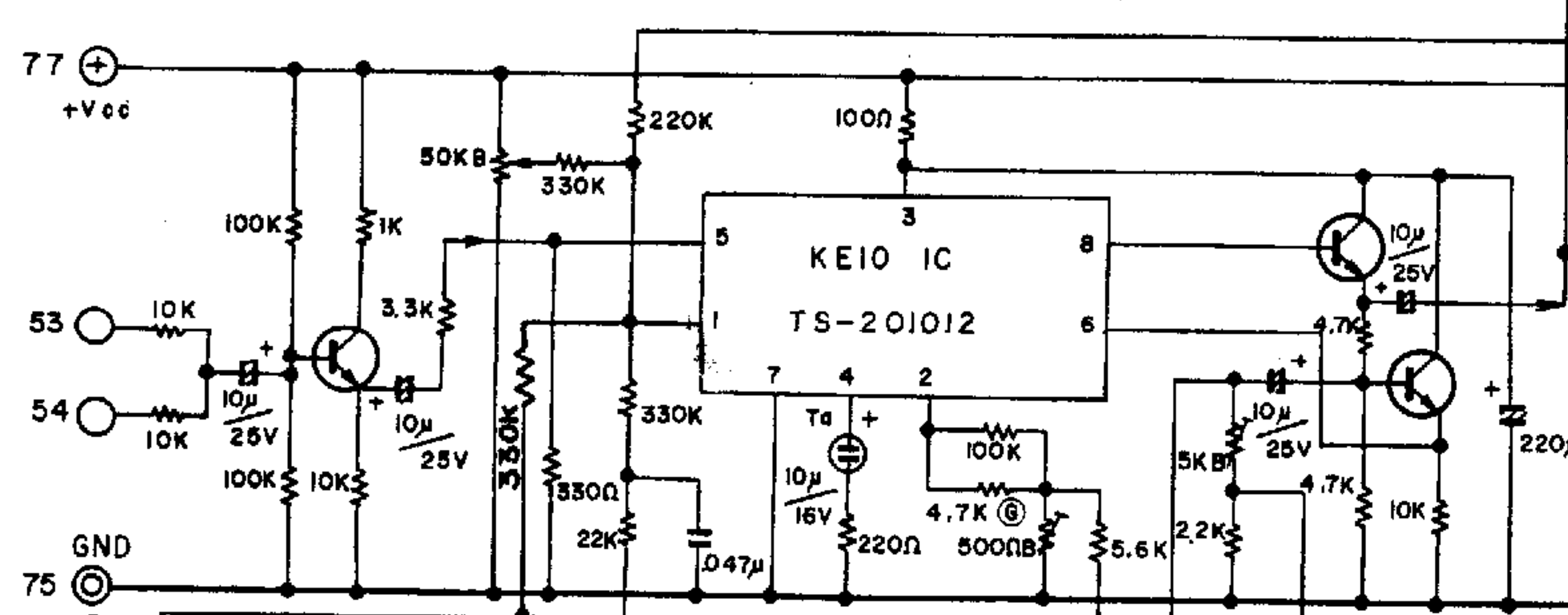
TRIGGER C.C.T



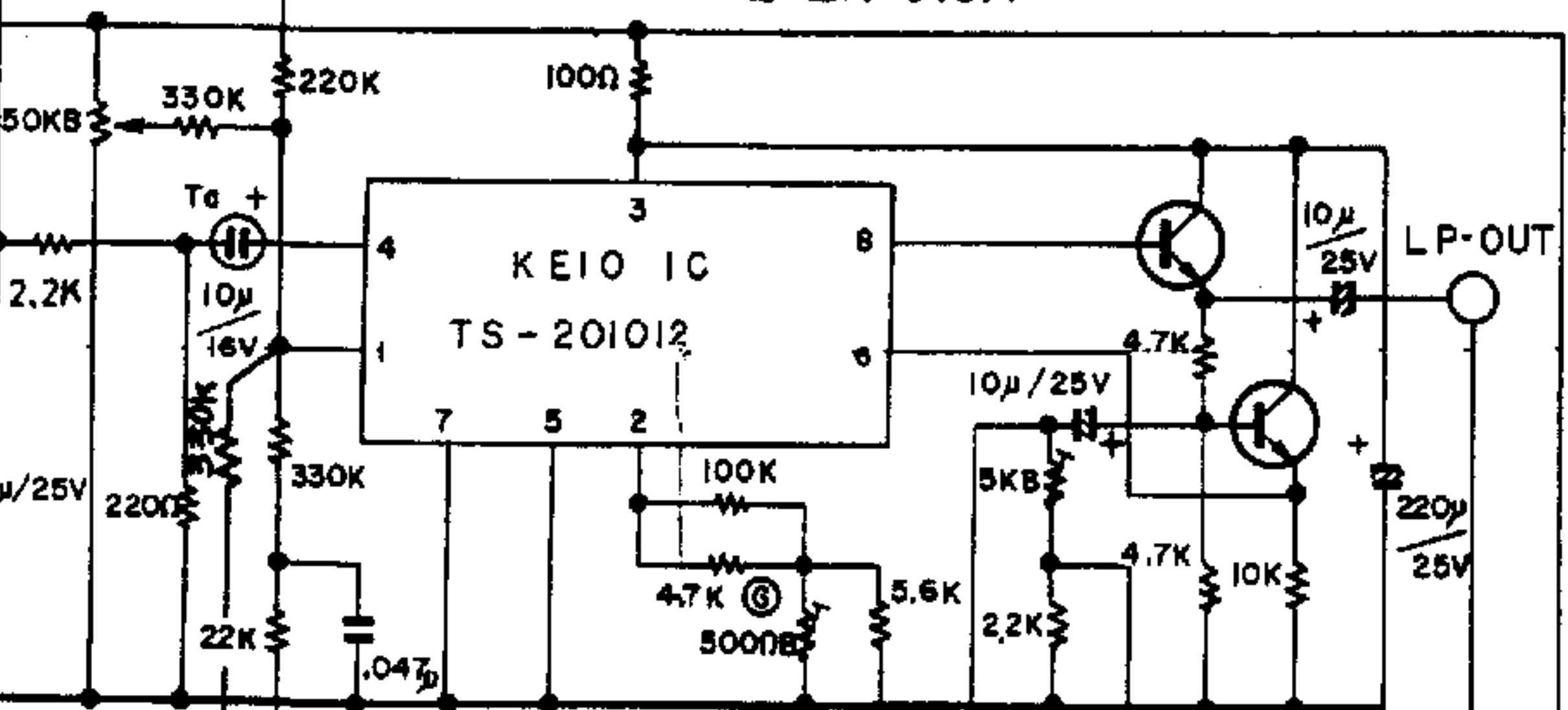
MODE C.C.T



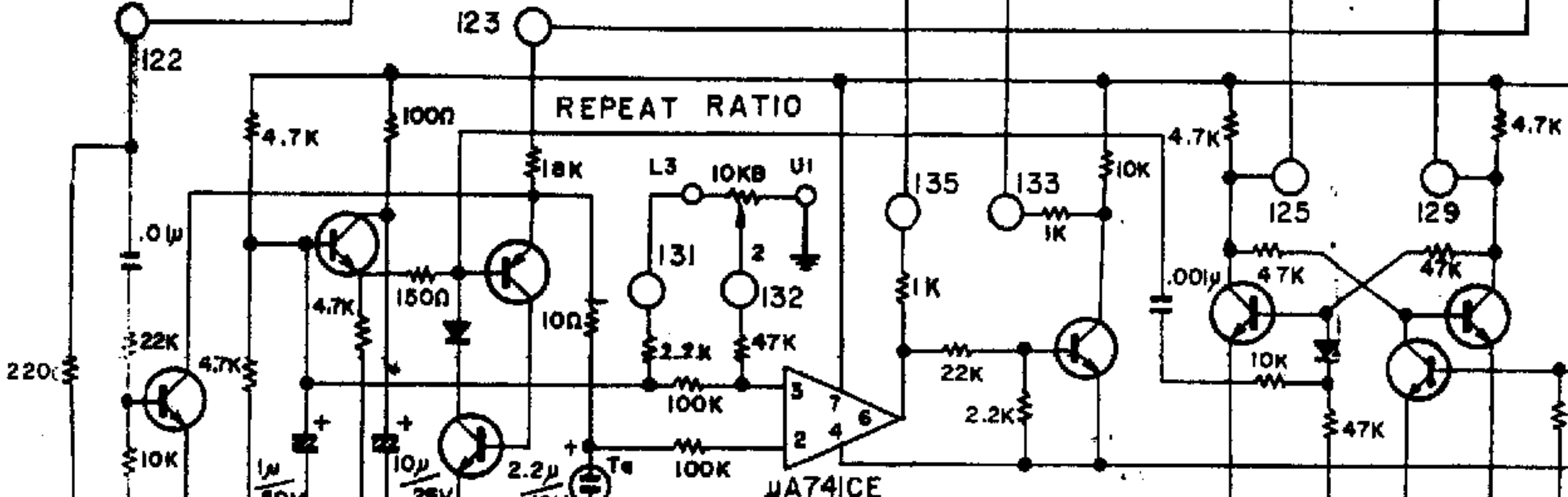
HIGH PASS FILTER C.C.T



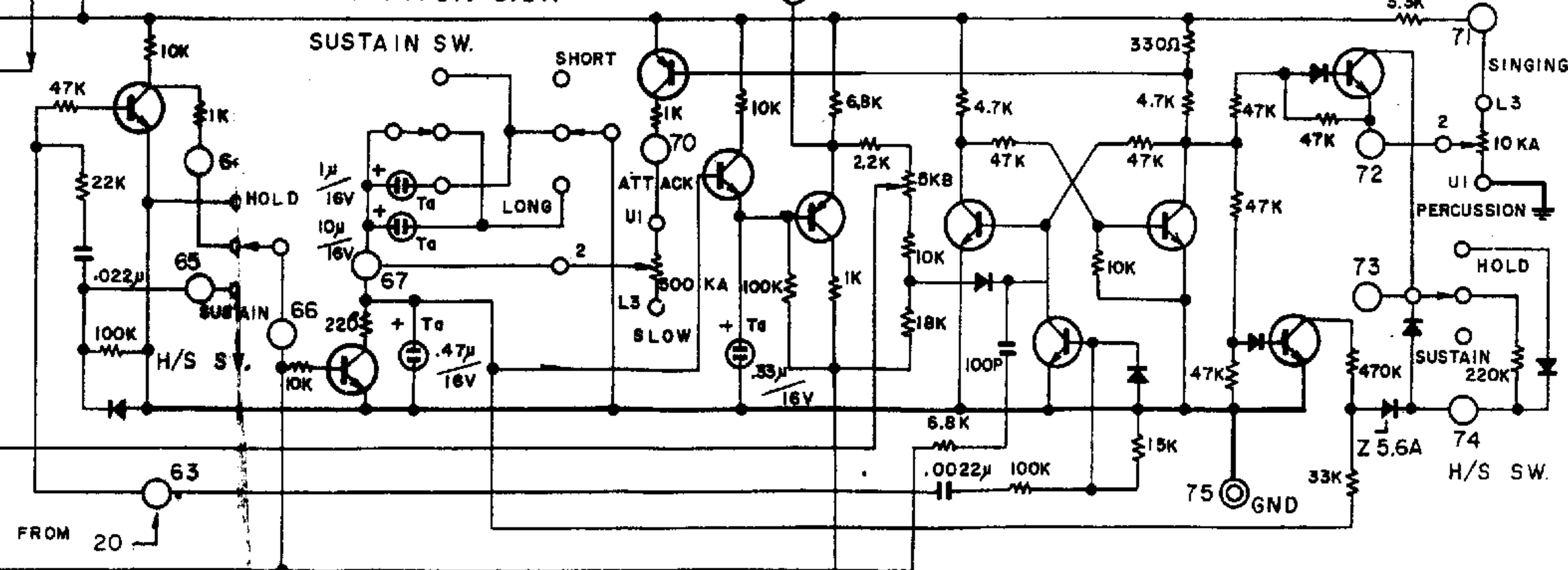
LOW PASS FILTER C.C.T



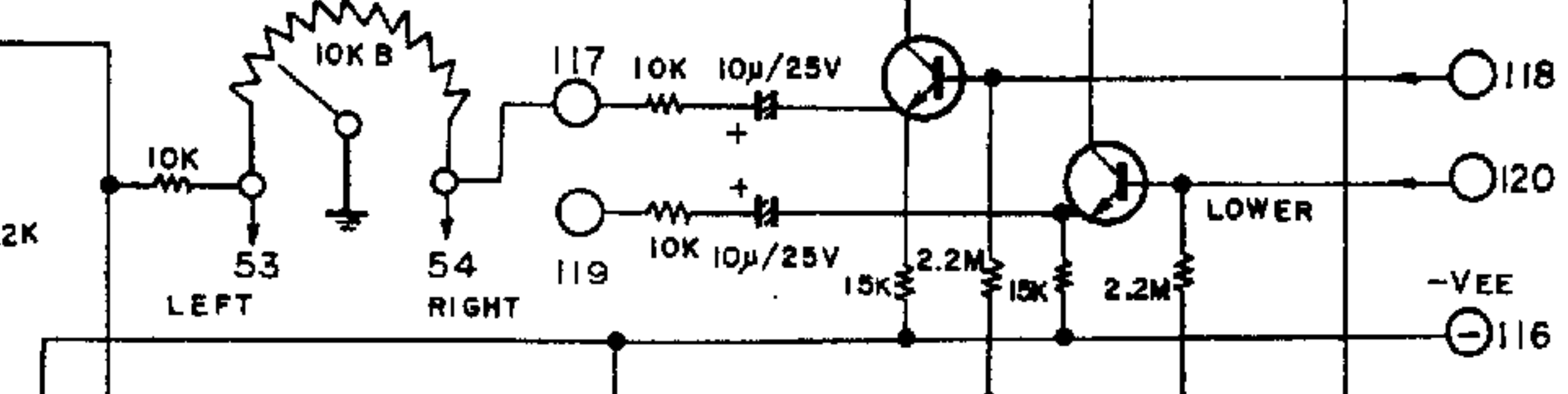
REPEAT C.C.T



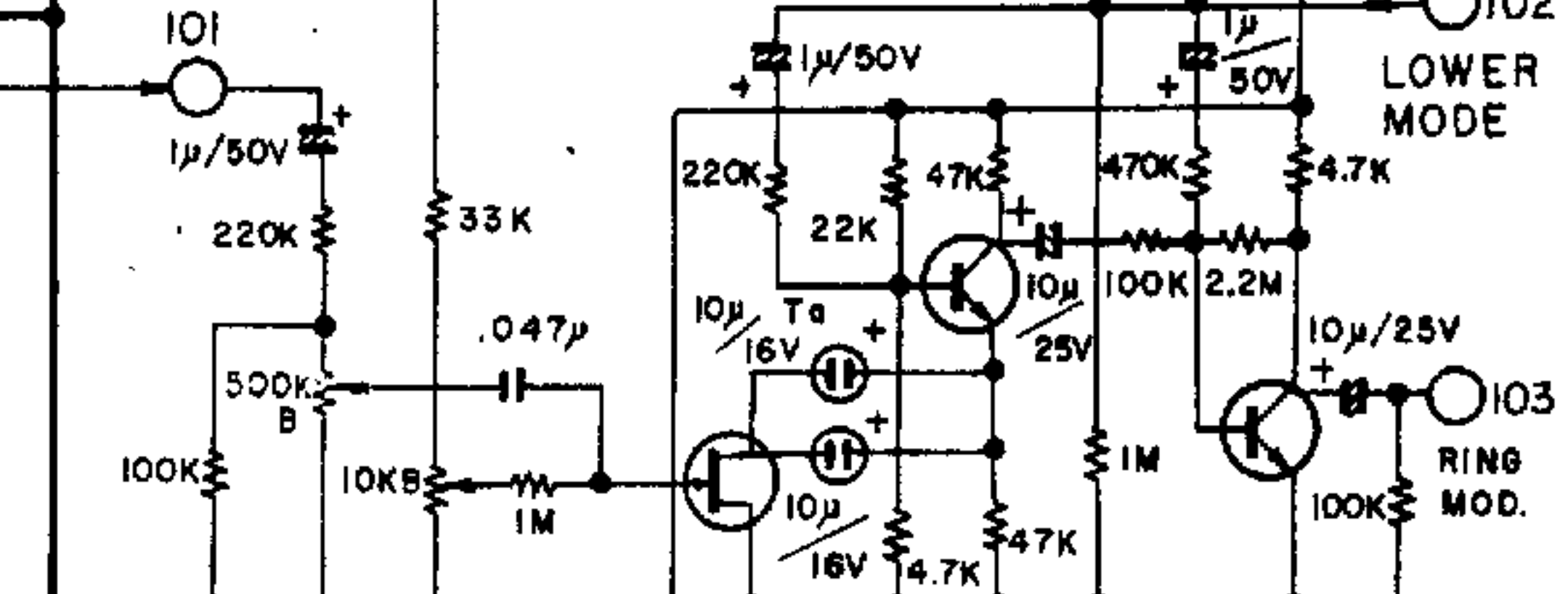
ENVELOPE GENERATOR C.C.T



WAVE MIXER



RING MODULATOR C.C.T



NOISE GENERATOR C.C.T

